

Electric Spot-Sprayer Operating Instructions

Sprayer Operation:

Be sure to observe the caution label on the sprayer and understand the use of MSDS sheets supplied for spray materials.

Note: We recommend the use of liquid products only. Wettable powders should not be used with this sprayer and will void the warranty.

After Filling Tank:

1. Connect power cord red cable to positive and black cable to negative 12 volt DC power source.
2. Turn pump power switch to "on".
3. Remove tank lid. Hold spray wand with nozzle pointing into fillwell. Squeeze wand trigger allowing spray liquid to recirculate back into tank until air is purged from hoses. Release pressure on trigger, remove spray wand from fillwell and replace lid. You are now ready to spray.

Adjusting Spray Wand Tip:

1. The knurled body of the tip rotates to provide spray selection from a wide angle, finely atomized cone spray to a straight stream spray.
2. Closing the bypass valve stops tank agitation. Opening the bypass valve allows tank agitation through the bypass hose. The spray wand output can be regulated by adjusting the bypass valve.

Should Pump Fail to Run:

1. Check pump switch and power source connections.
2. Check 15 amp fuse in power cord.
3. Check internal pump parts for needed repairs.

Sprayer Maintenance:

1. The stainless steel sump screen can be unscrewed from the fitting and cleaned under a faucet.
2. Always rinse the sprayer with clean water when done. Apply any residual material to the area sprayed
3. Completely pump out all material before long time storage. Do not use anti-freeze material in the pump. It is best to leave the pump dry of material and if possible keep the sprayer from freezing.

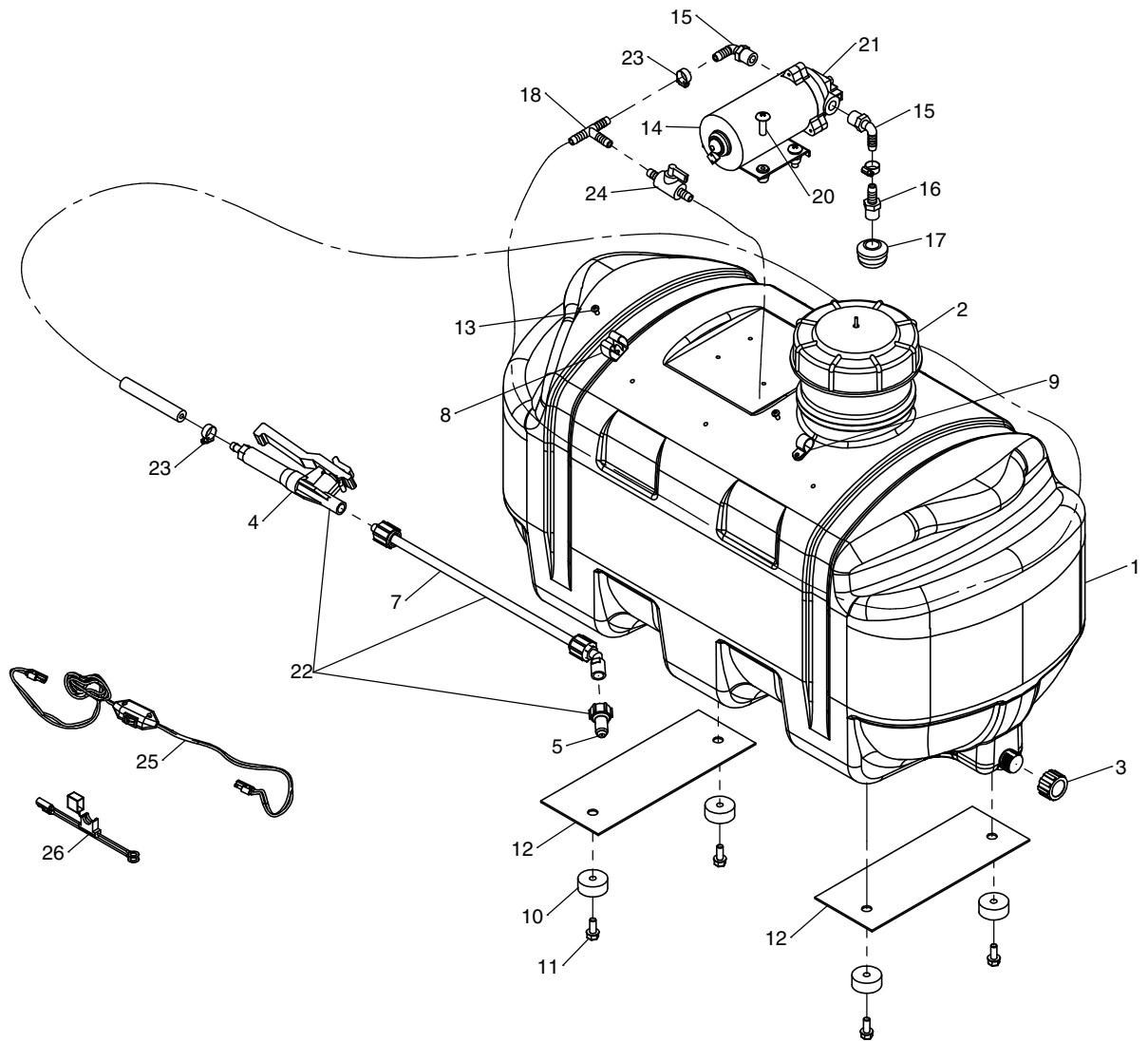
We reserve the right to change designs, specifications and equipment at any time without notice and without incurring any obligations.

LESCO, Inc., 20005 Lake Road, Rocky River, Ohio 441161545

Toll Free (800) 321-5325 .In the Cleveland Area (440) 333-9250

Form No. 706824 12/15/2007 LESCO is a trademark of LESCO, Inc.





ITEM #	DESCRIPTION	PART #	QTY.
1	Tank 25 Gallon White	ST43519	1
2	Tank Lid 6"	ST43175	1
3	Drain Cap w/ Seal	ST43516	1
4	Spraywand Valve	ST43124	1
5	Spray Wand Plastic Tip	ST43295	1
7	Spray Wand Extension	ST43515	1
8	Holder for Spray Wand	ST43287	1
9	Hose Holder 3/8"	ST43191	1
10	Rubber Bumper	ST43176	4
11	5/16 x 3/4 Flange Bolt	ST65007	4
12	Tank Reinforcement	ST62009	2
13	#10-24 x 3/8" Truss Head	ST65000	2
14	Pump 100 PSI	ST43918	1
15	3/8NPT x 3/8 Barbed, Elbow	ST43183	2

ITEM #	DESCRIPTION	PART #	QTY.
16	3/8" Straight Barbed Fitting	ST43182	1
17	Sump Strainer 3/8"	ST43258	1
18	3/8 Barbed, TEE	ST43013	1
19	Hose, Black Rubber 3/8", Per Foot	ST43286	19'
20	#10-24 x 1" Truss Head	ST65001	4
21	Pump Head, Replacement	ST43921	1
22	Spray Wand w/ Tip	ST43238	1
23	1/2 Hose Clamp, Screw Type	ST43652	3
24	3/8 Barbed, In-line Valve	ST43014	1
25	Wire Harness Switch	ST43472	1
26	Wire Harness Battery	ST43483	1
-	Label, 25 Gallon	ST43490	1
-	Label, Caution (English)	ST43488	1